

# 三相馬達正逆轉固態繼電器 3 PHASE SOLID STATE REVERSING RELAY

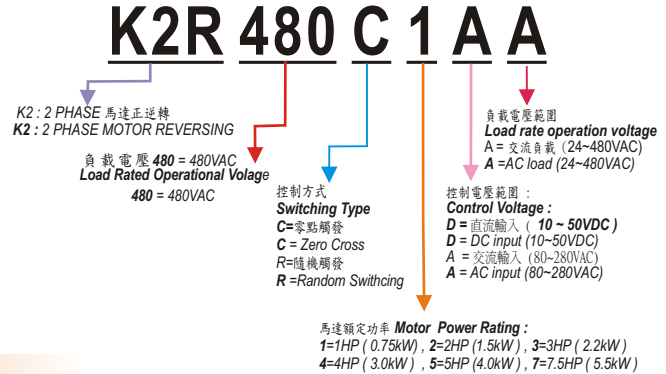
K2R480C1AA	K2R480R1AA
K2R480C2AA	K2R480R2AA
K2R480C3AA	K2R480R3AA
K2R480C4AA	K2R480R4AA
K2R480C5AA	K2R480R5AA
K2R480C7AA	K2R480R7AA

## K2R480XXAA SERIES



## 型號索引說明 Model No. Descriptions:

- ❖ 此為三相馬達正逆轉所設計  
Motor reversing for 3-phase induction motors.
- ❖ 負載輸出電壓可達480VAC  
Rated operational voltage : Up to 480VACrms.
- ❖ 內建連結功能。  
Built-in interlock function.
- ❖ 直流控制/交流控制  
DC control voltage / AC control voltage
- ❖ 內建衝擊電壓保護  
Built-in voltage transient protection.
- ❖ 輸入-輸出絕緣電壓可達4000VACrms。  
Insulation: Optocoupler (input-output) 4000VACrms.



## 產品摘錄 PRODUCT SELECTON

### 輸出規格 OUTPUT SPECIFICATIONS

品名	Description	K2R480C1AA	K2R480C2AA	K2R480C3AA	K2R480C4AA	K2R480C5AA	K2R480C7AA
馬達額定功率	Motor rating	1HP/0.75kW	2HP/1.5kW	3HP/2.2kW	4HP/3.0kW	5HP/4.0kW	7.5HP/5.5kW
負載電壓範圍	Operating Voltage [VAC]	24-480	24-480	24-480	24-480	24-480	24-480
破壞電壓	Maximum Transient Overvoltage [Vpk]	1200	1200	1200	1200	1200	1200
洩露電流	Maximum Off-State Leakage Current @Rated Voltage [mA]	Less 1m Ams	Less 1m Ams	Less 1m Ams	Less 1m Ams	Less 1m Ams	Less 1m Ams
最大瞬間承受電流	Maximum Surge Current [Adc] (10ms)	10A	20A	30A	40A	50A	75A
動作壓降	Maximum On-State Voltage Drop @ Rated Current [Vdc]	1.6	1.6	1.6	1.6	1.6	1.6
端子阻抗	Thermal Resistance Junction to Case (Rjc) [°C/W]	0.8	0.8	0.8	0.8	0.8	0.8

### 輸入規格 INPUT SPECIFICATIONS

品名	Description	K2R480C1AA	K2R480C2AA	K2R480C3AA	K2R480C4AA	K2R480C5AA	K2R480C7AA
控制電壓範圍	Control Voltage Range	80-280V AC	80-280V AC	80-280V AC	80-280V AC	80-280V AC	80-280V AC
最小導通電壓	Minimum Turn-on Voltage	10	10	10	10	10	10
最小關斷電壓	Minimum Turn-off Voltage	2.0	2.0	2.0	2.0	2.0	2.0
關斷洩漏電流	Typical Input Current at Nominal Voltage	15mA	15mA	15mA	15mA	15mA	15mA
輸入阻抗	Nominal Input Impedance	1.5 Kohm	1.5 Kohm	1.5 Kohm	1.5 Kohm	1.5 Kohm	1.5 Kohm
最大動作時間	Maximum Turn-on Time [msec]	Less 2m Sec	Less 2m Sec	Less 2m Sec	Less 2m Sec	Less 2m Sec	Less 2m Sec
最大關斷時間	Maximum Turn-off Time [msec]	Less 1/2A C cycl e	Less 1/2A C cycl e	Less 1/2A C cycl e	Less 1/2A C cycl e	Less 1/2A C cycl e	Less 1/2A C cycl e

### 一般規格 GENERAL SPECIFICATIONS

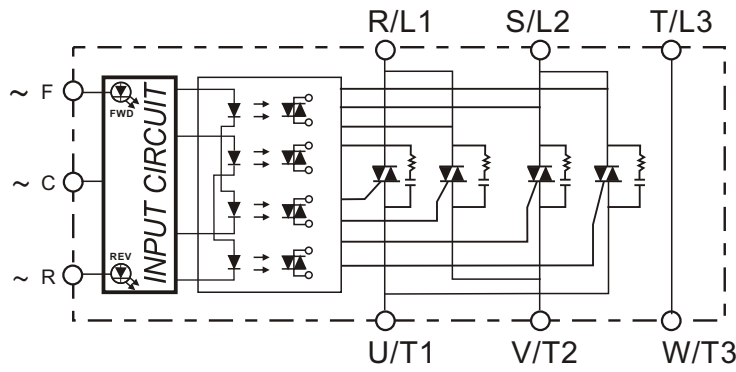
品名	Description	K2R480C1AA	K2R480C2AA	K2R480C3AA	K2R480C4AA	K2R480C5AA	K2R480C7AA
輸入/輸出至外殼絕緣電壓	Dielectric Strength , Input-Output Base ( 50/60Hz)	2500	2500	2500	2500	2500	2500
絕緣電阻	Minimum Insulation Resistance	10 <sup>9</sup> ohm	10 <sup>9</sup> ohm	10 <sup>9</sup> ohm	10 <sup>9</sup> ohm	10 <sup>9</sup> ohm	10 <sup>9</sup> ohm
輸入-輸出容抗	Maximum Capacitance , Input-Output	Less 15pf	Less 15pf	Less 15pf	Less 15pf	Less 15pf	Less 15pf
工作溫度範圍	Ambient Operating Temperature Range	-20°C ~+80°C	-20°C ~+80°C	-20°C ~+80°C	-20°C ~+80°C	-20°C ~+80°C	-20°C ~+80°C
儲存溫度範圍	Ambient Storage Temperature Range	-40°C ~ +100°C	-40°C ~ +100°C	-40°C ~ +100°C	-40°C ~ +100°C	-40°C ~ +100°C	-40°C ~ +100°C
觸發方式	Switching Type	Zero Cross	Zero Cross	Zero Cross	Zero Cross	Zero Cross	Zero Cross
重量	Weight (g)	600g	600g	600g	600g	600g	600g

### GENERAL NOTES

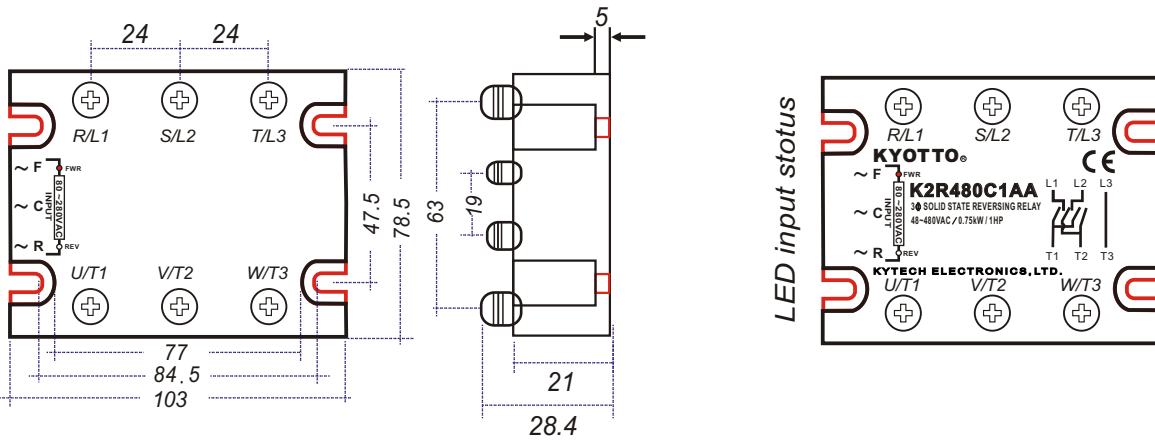
- (1) All parameters at 25°C unless otherwise specified
- (2) Dielectric strength and insulation resistance are measured between input and output
- (3) Heat sinking require ,for derating curves see next page.

等效電路圖 EQUIVALENT CIRCUIT

❖ AC INPUT

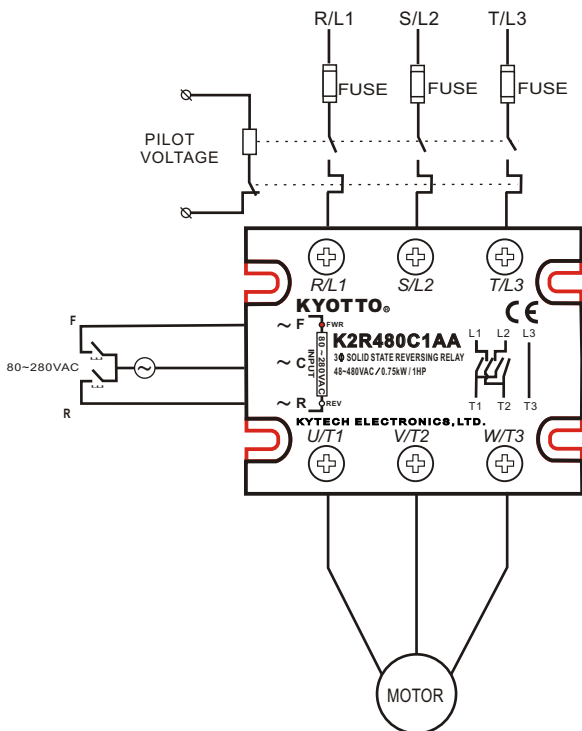


外觀尺寸圖 MECHANICAL DIMENSIONS (Unit: mm)

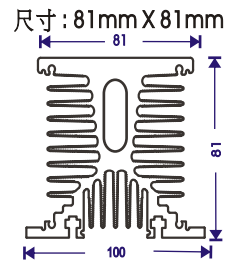
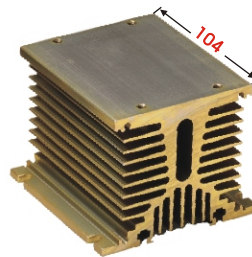


應用範例 EXAMPLE APPLICATION

散熱片 HEAT SINK



❖ KH104-104



❖ KH197

